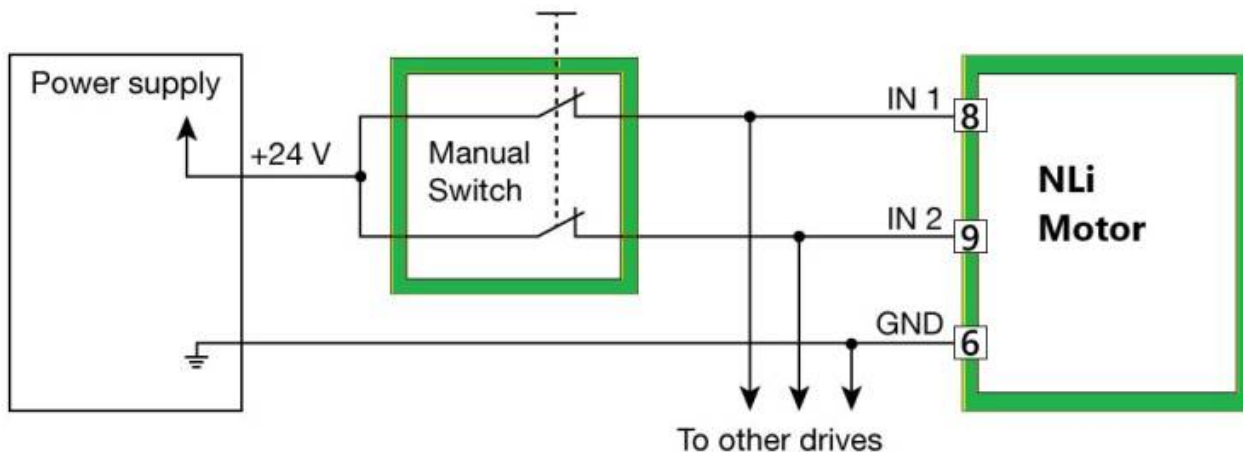


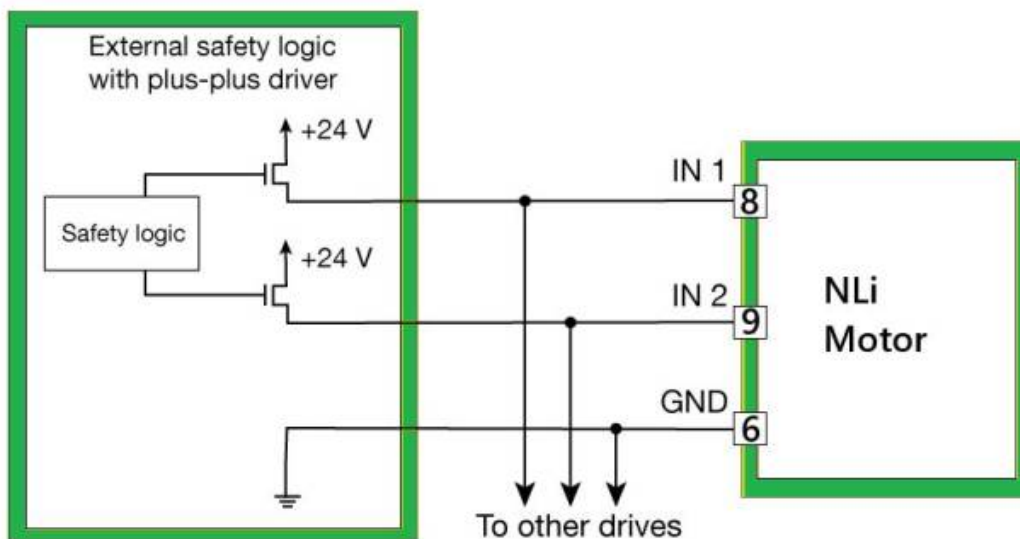
Safe Torque Off

Manual switch (Emergency button)



Safety PLC

For example: Safety PLC output or safety sensors (e.g. Safety light curtain, safety scanner etc.)



From:
<https://www.nilab.at/dokuwiki/> - NiLAB GmbH
Knowledgebase

Permanent link:
https://www.nilab.at/dokuwiki/doku.php?id=nli_eth:sto_inputs

Last update: 2025/03/05 09:40



