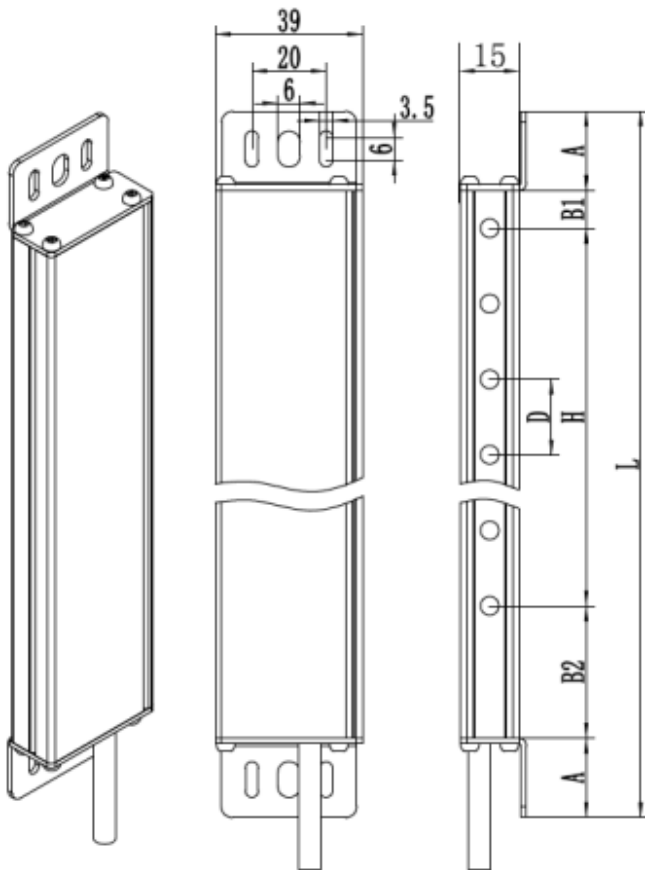


Product size

Metal cover version

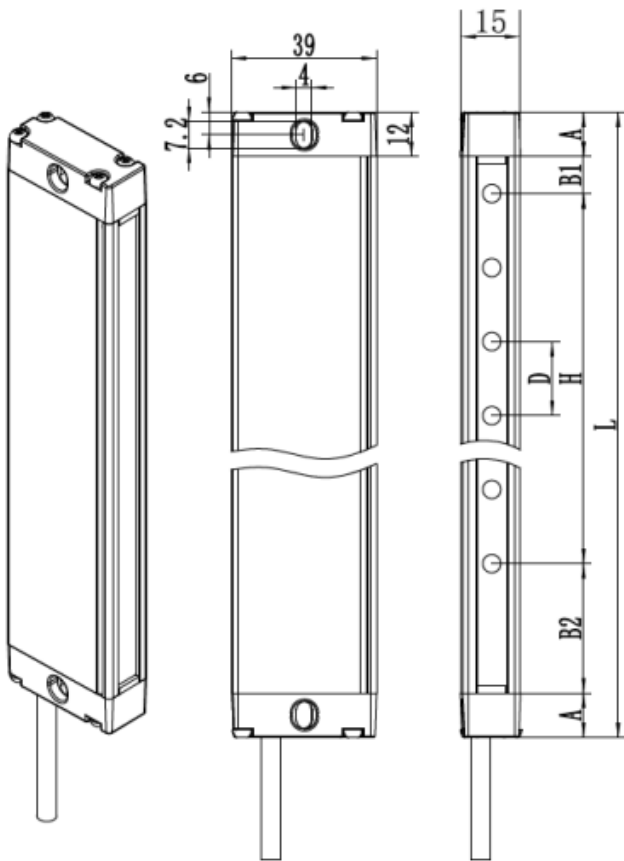


Metal cover

- A: Upper and bottom cover
- B1: Upper stop-work range
- B2: Bottom stop-work range
- D: Beam space
- H: Protective height
- L: Total height

A=20mm;
 When D=10mm, B1=5mm; B2=25mm
 When D=20mm, B1=5mm; B2=15mm
 When D=40mm, B1=5mm; B2=15mm
 L is total height: $L=A1+A2+B1+B2+H$
 H is protective height: $H=(beams-1) * beam\ space$

Plastic cover version



Plastic cover

- A: Upper and bottom cover
- B1: Upper stop-work range
- B2: Bottom stop-work range
- D: Beam space
- H: Protective height
- L: Total height

A=12mm;

When D=10mm, B1=5mm; B2=25mm

When D=20mm, B1=5mm; B2=15mm

When D=40mm, B1=5mm; B2=15mm

L is total height: $L=A1+A2+B1+B2+H$

H is protective height: $H=(\text{beams}-1) * \text{beam space}$

From:

<https://www.nilab.at/dokuwiki/> - NiLAB GmbH
Knowledgebase

Permanent link:

https://www.nilab.at/dokuwiki/doku.php?id=nl_eb15_safety:size

Last update: 2025/05/07 14:37

