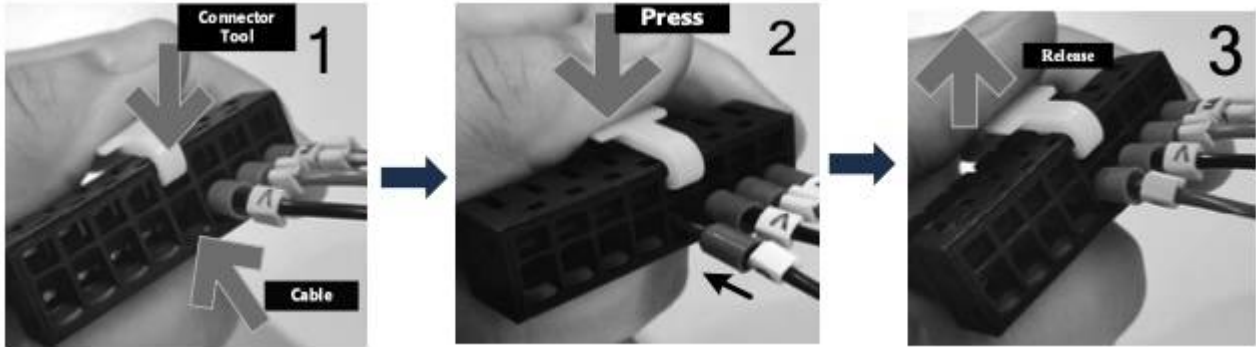
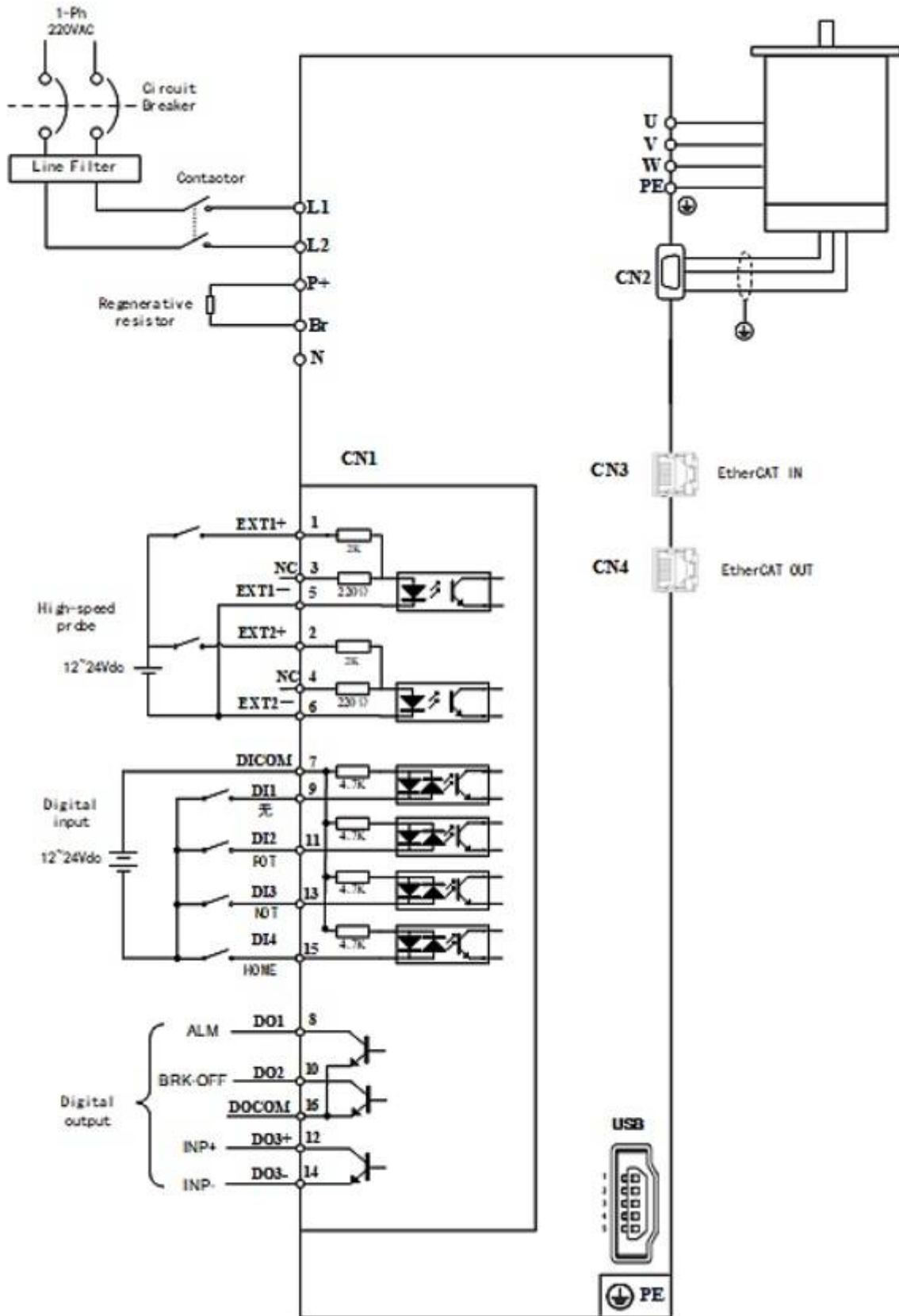


Wiring Diagram

How to fix wire cables into connector



230VAC Version

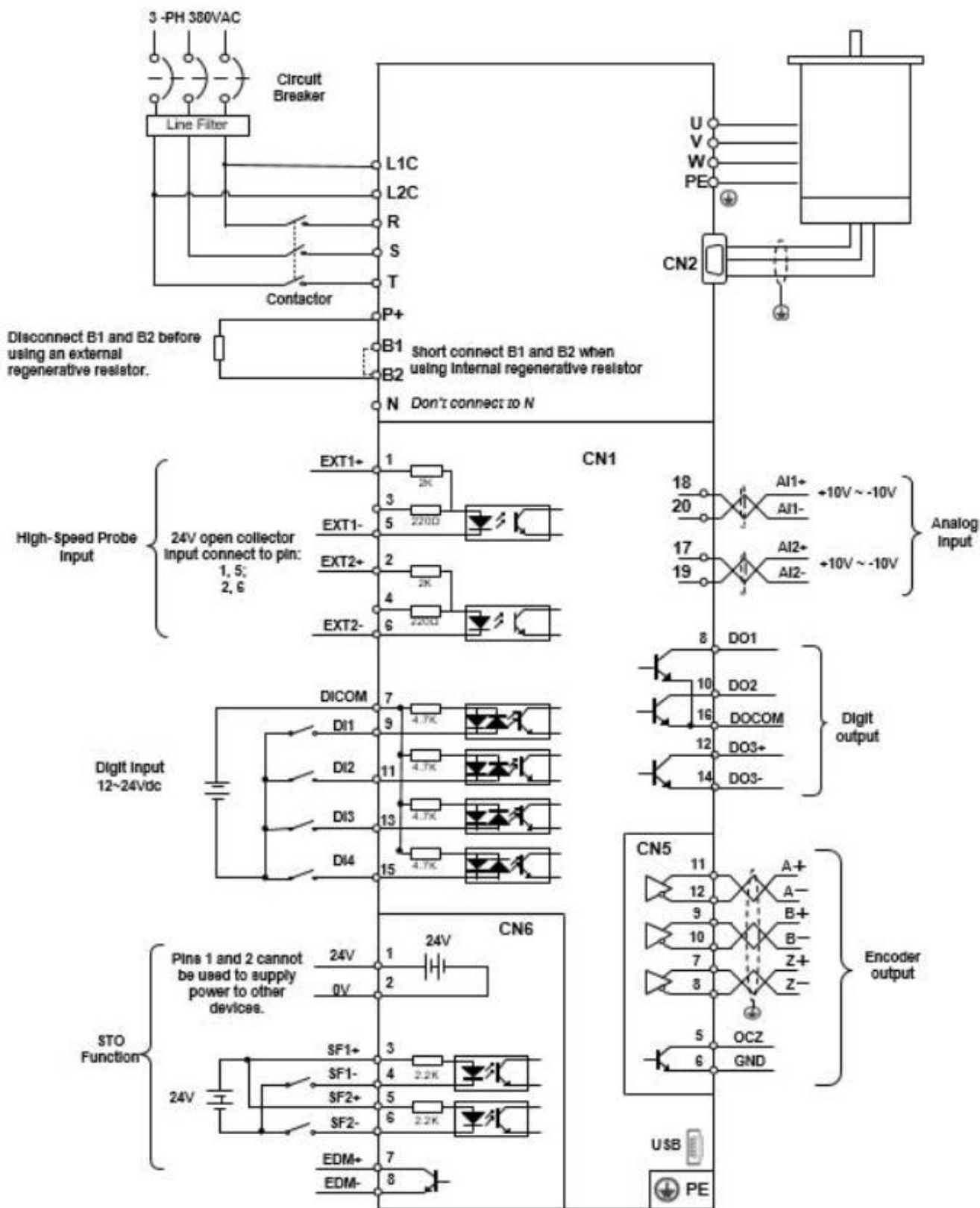


NL7-RS series servo drive supports single phase and three phase 220VAC. Only driver with power rating above 1500W supports three phase 220VAC.

- Please use a circuit breaker for the main power supply to prevent damage to the product or machine.

- Please do not use a contactor in connection to servo motor as it may not withstand a sudden surge of operating voltage.
- Please take note of the capacity when connect to a 24VDC switching power supply, especially if power supply is shared between multiple components. Insufficient supply current will cause failure in holding brake functions.

380VAC Version



- Please use a circuit breaker for the main power supply to prevent damage to the product or machine.
- Please do not use a contactor in connection to servo motor as it may not withstand a sudden surge of operating voltage.
- Please take note of the capacity when connect to a 24VDC switching power supply, especially if power supply is shared between multiple components. Insufficient supply current will cause

failure in holding brake functions.

From:

<https://www.nilab.at/dokuwiki/> - **NiLAB GmbH**
Knowledgebase

Permanent link:

https://www.nilab.at/dokuwiki/doku.php?id=nl7_servo:wiring

Last update: **2024/03/14 06:18**

