

# Motor Cables

- Wire length available: 1.5m, 3m and 5m
- Connectors type available: AMP electrical connectors, aviation connectors, direct connectors (recommended)
- Please contact Leadshine sales team or any NiLAB GmbH certified local retailers for any customized needs

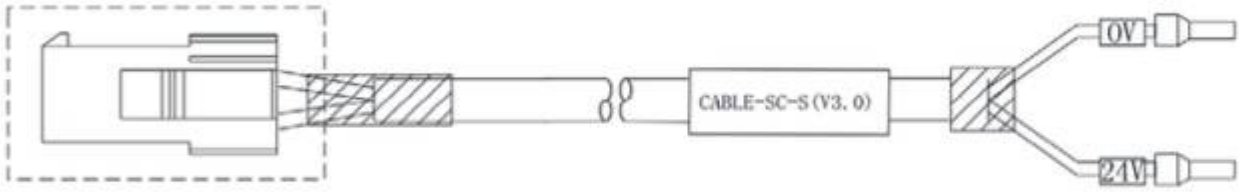
## Motor with frame size 80 mm or below

### AMP connector - CABLE - RZ\*-S(V3.0)

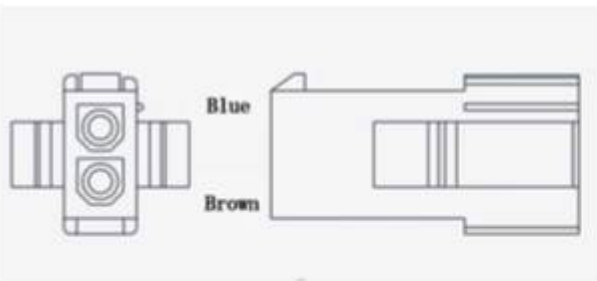
The diagram illustrates the AMP connector - CABLE - RZ\*-S(V3.0) with a cross-section of the motor side and a view of the driver side with four pins labeled U, V, W, and PE. The cable is labeled 'CABLE-RZ\*-S(V3.0)'.

Motor cable pin	Pins		
	Motor	Color	Driver
	1	Blue	U
	3	Black	V
	2	Red	W
	4	Yellow-green	PE

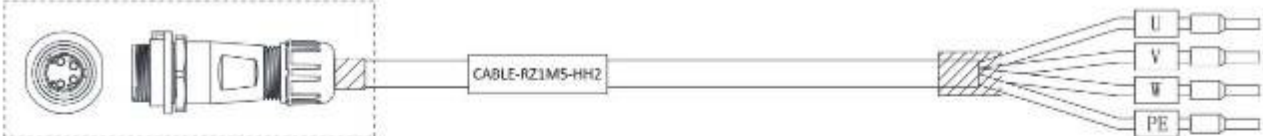
### AMP electrical connector - Brake - CABLE-SC\*-S(V3.0)



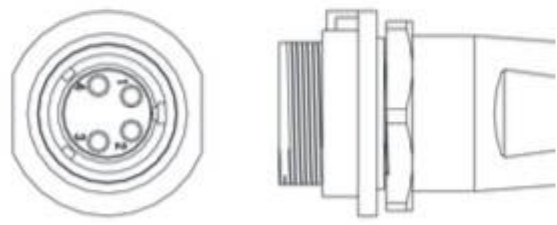
**Motor side** **Driver side**

Motor cable pin	Pins									
 <p><b>Motor side</b></p>	<table border="1" style="width: 100%; border-collapse: collapse;"> <thead> <tr> <th>Motor</th> <th>Color</th> <th>Pin</th> </tr> </thead> <tbody> <tr> <td style="text-align: center;">2</td> <td style="text-align: center;">Blue</td> <td style="text-align: center;">0V</td> </tr> <tr> <td style="text-align: center;">1</td> <td style="text-align: center;">Brown</td> <td style="text-align: center;">24V</td> </tr> </tbody> </table>	Motor	Color	Pin	2	Blue	0V	1	Brown	24V
Motor	Color	Pin								
2	Blue	0V								
1	Brown	24V								

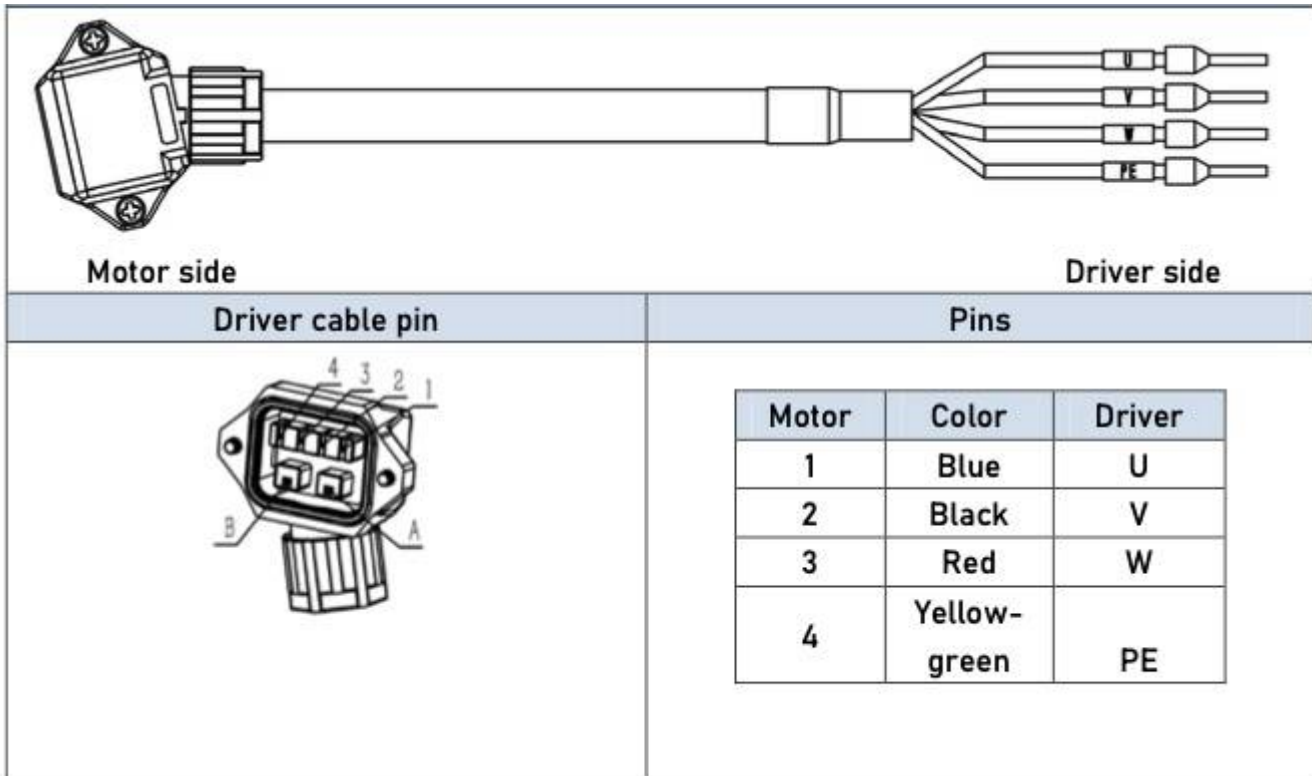
### Aviation connector - CABLE-RZ-HH2 (V3.0)



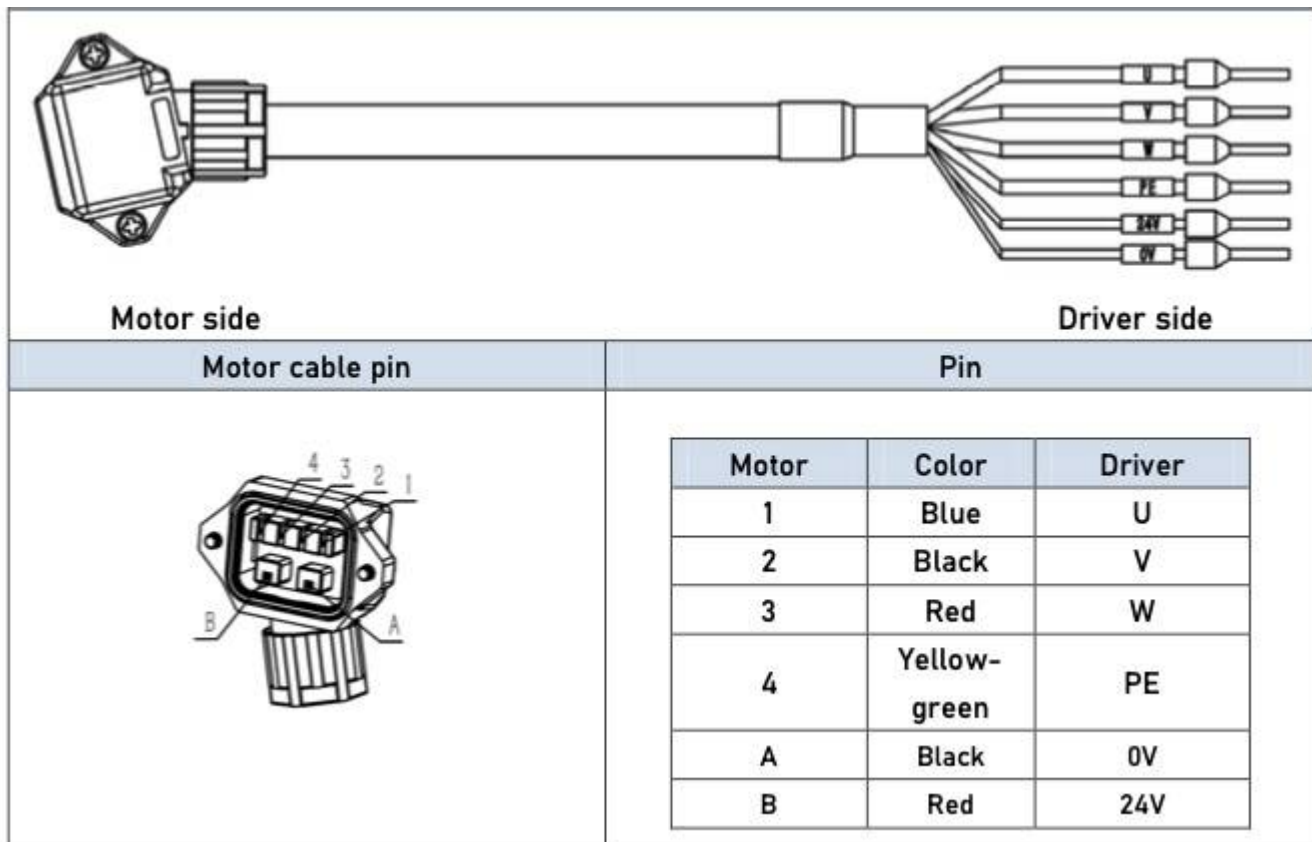
**Motor side** **Driver side**

Motor cable pin	Pins															
 <p><b>Motor side</b></p>	<table border="1" style="width: 100%; border-collapse: collapse;"> <thead> <tr> <th>Motor</th> <th>Color</th> <th>Driver</th> </tr> </thead> <tbody> <tr> <td style="text-align: center;">1</td> <td style="text-align: center;">Blue</td> <td style="text-align: center;">U</td> </tr> <tr> <td style="text-align: center;">3</td> <td style="text-align: center;">Black</td> <td style="text-align: center;">V</td> </tr> <tr> <td style="text-align: center;">2</td> <td style="text-align: center;">Red</td> <td style="text-align: center;">W</td> </tr> <tr> <td style="text-align: center;">4</td> <td style="text-align: center;">Yellow-green</td> <td style="text-align: center;">PE</td> </tr> </tbody> </table>	Motor	Color	Driver	1	Blue	U	3	Black	V	2	Red	W	4	Yellow-green	PE
Motor	Color	Driver														
1	Blue	U														
3	Black	V														
2	Red	W														
4	Yellow-green	PE														

### Direct connector - CABLE-RZH\*M\*-114-TS without holding brake

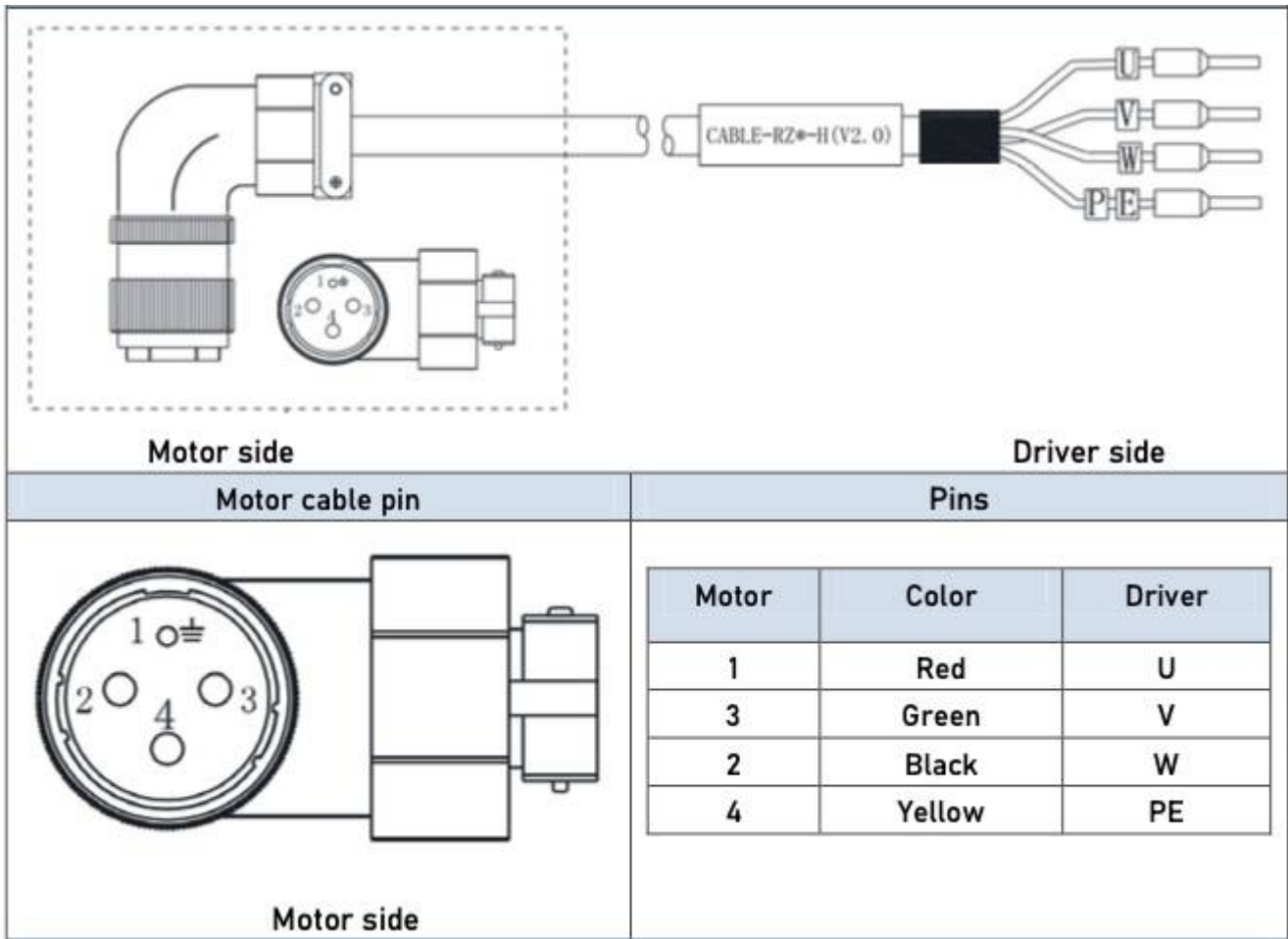


**Direct connector - holding brake - CABLE-RZH\*M\*-114-TS**

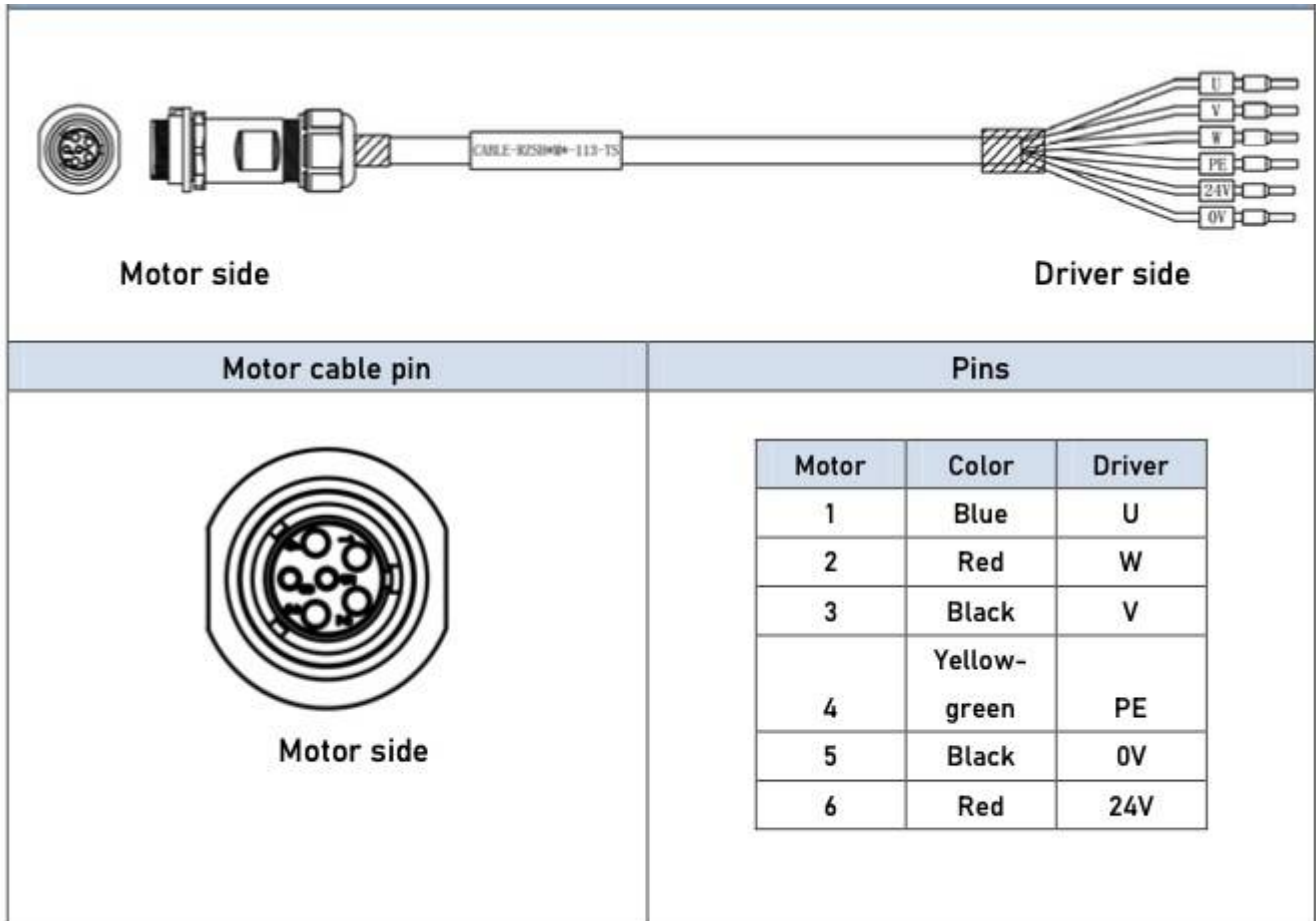


# Motor with frame size 130 mm

## Aviation connector - CABLE-RZ\*H(V1.1/V2.0)



## Aviation connector - holding brake - CABLE-RZSH\*M\*-113-TS



From:  
<https://www.nilab.at/dokuwiki/> - NiLAB GmbH  
**Knowledgebase**

Permanent link:  
[https://www.nilab.at/dokuwiki/doku.php?id=nl7\\_servo:cables](https://www.nilab.at/dokuwiki/doku.php?id=nl7_servo:cables)

Last update: **2024/03/13 06:26**

