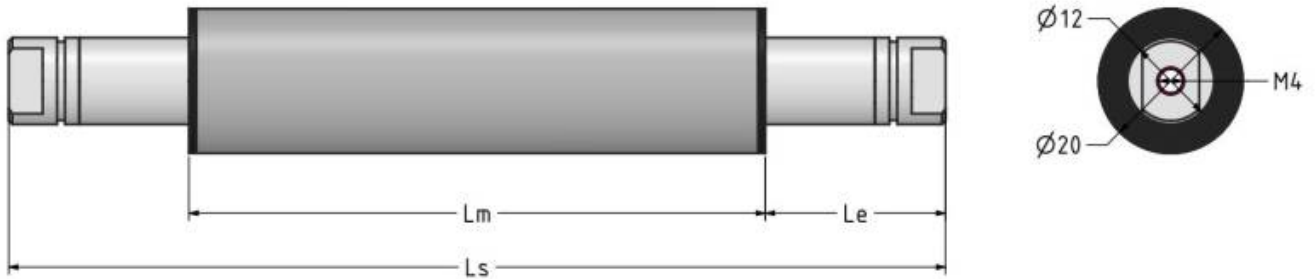


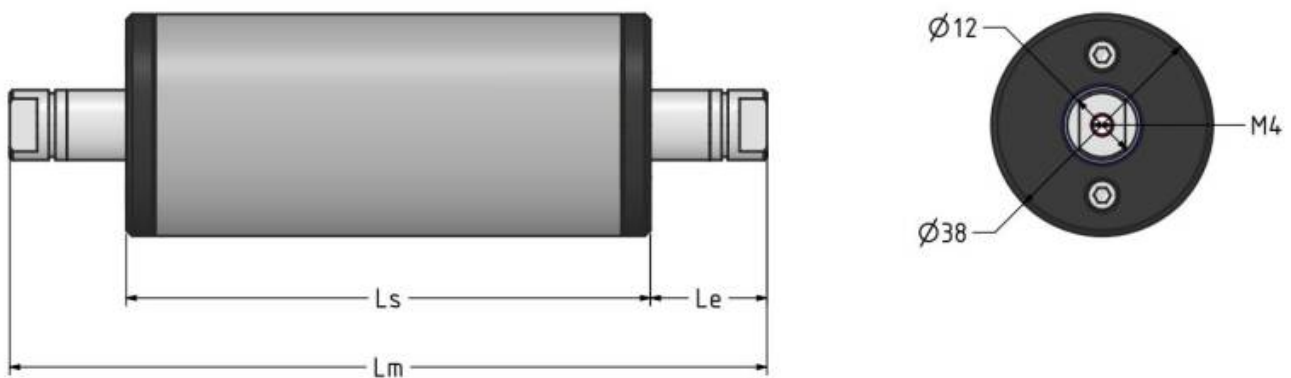
# Dimensions

## Maglift 12/17/22



Model	Force [N]	Stator length [mm]	Slider Length [mm]	Stroke [mm]	Le [mm]
12-50	12	63	113	50	30
12-130	12	203	153	130	30
12-210	12	243	293	210	30
12-290	12	333	383	290	30
17-50	17	63	113	50	30
17-130	17	203	153	130	30
17-210	17	243	293	210	30
17-290	17	333	383	290	30
22-50	22	63	113	50	30
22-130	22	203	153	130	30
22-210	22	243	293	210	30
22-290	22	333	383	290	30

## Maglift 40/50/60



Model	Force [N]	Stator length [mm]	Slider Length [mm]	Stroke [mm]	Le [mm]
-------	-----------	--------------------	--------------------	-------------	---------

40-50	40	90	130	50	35
40-125	40	170	210	125	35
40-200	40	250	290	200	35
40-275	40	330	370	275	35
50-50	50	90	130	50	35
50-125	50	170	210	125	35
50-200	50	250	290	200	35
50-275	50	330	370	275	35
60-50	60	90	130	50	35
60-125	60	170	210	125	35
60-200	60	250	290	200	35
60-275	60	330	370	275	35

From:  
<https://www.nilab.at/dokuwiki/> - **NiLAB GmbH**  
**Knowledgebase**

Permanent link:  
<https://www.nilab.at/dokuwiki/doku.php?id=maglift:dimensions>

Last update: **2023/09/25 12:54**

