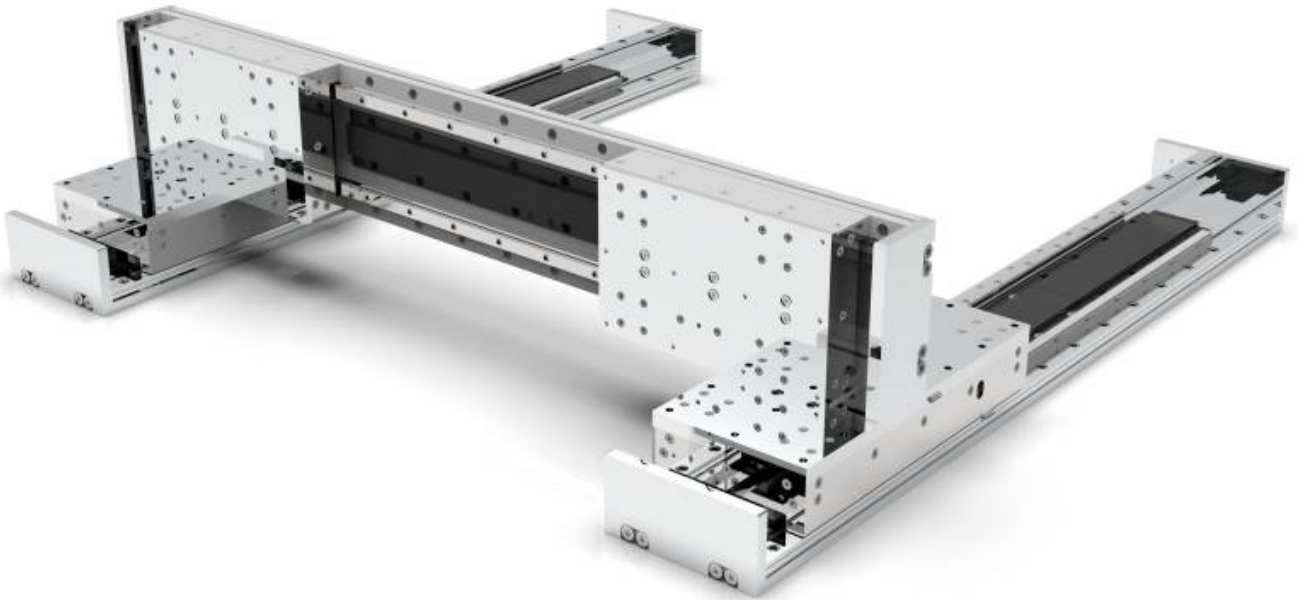
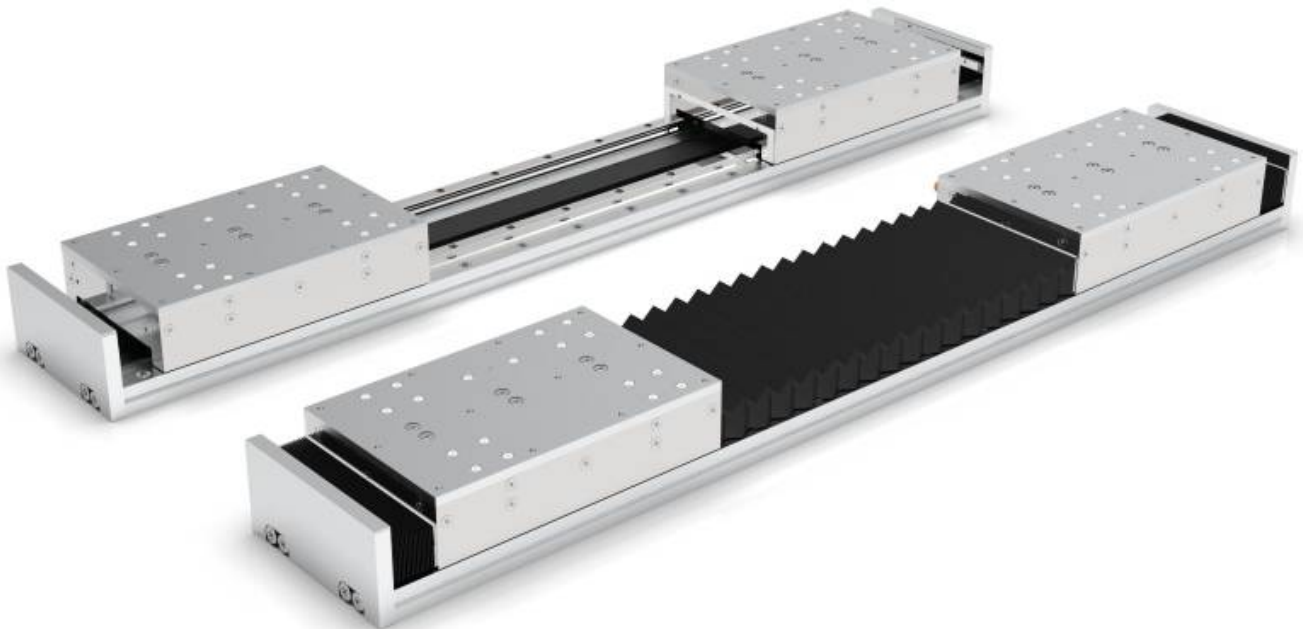


Mounting examples

2D Gantry



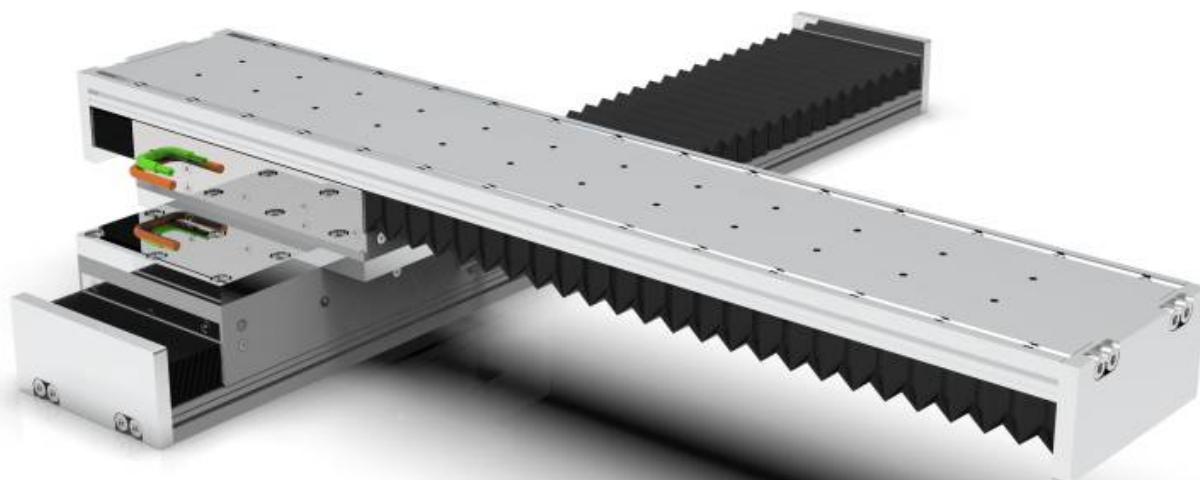
Dual Carriage



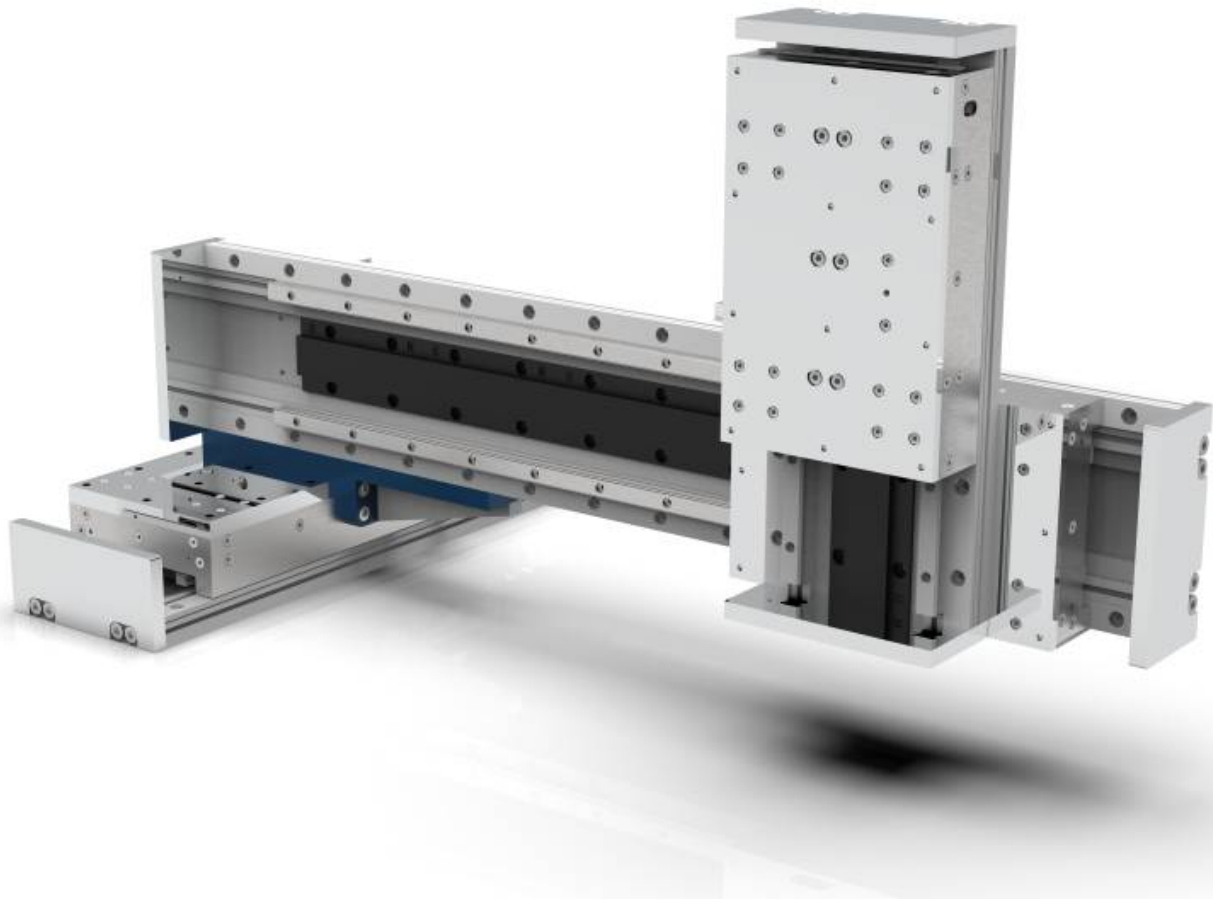
Cantilever



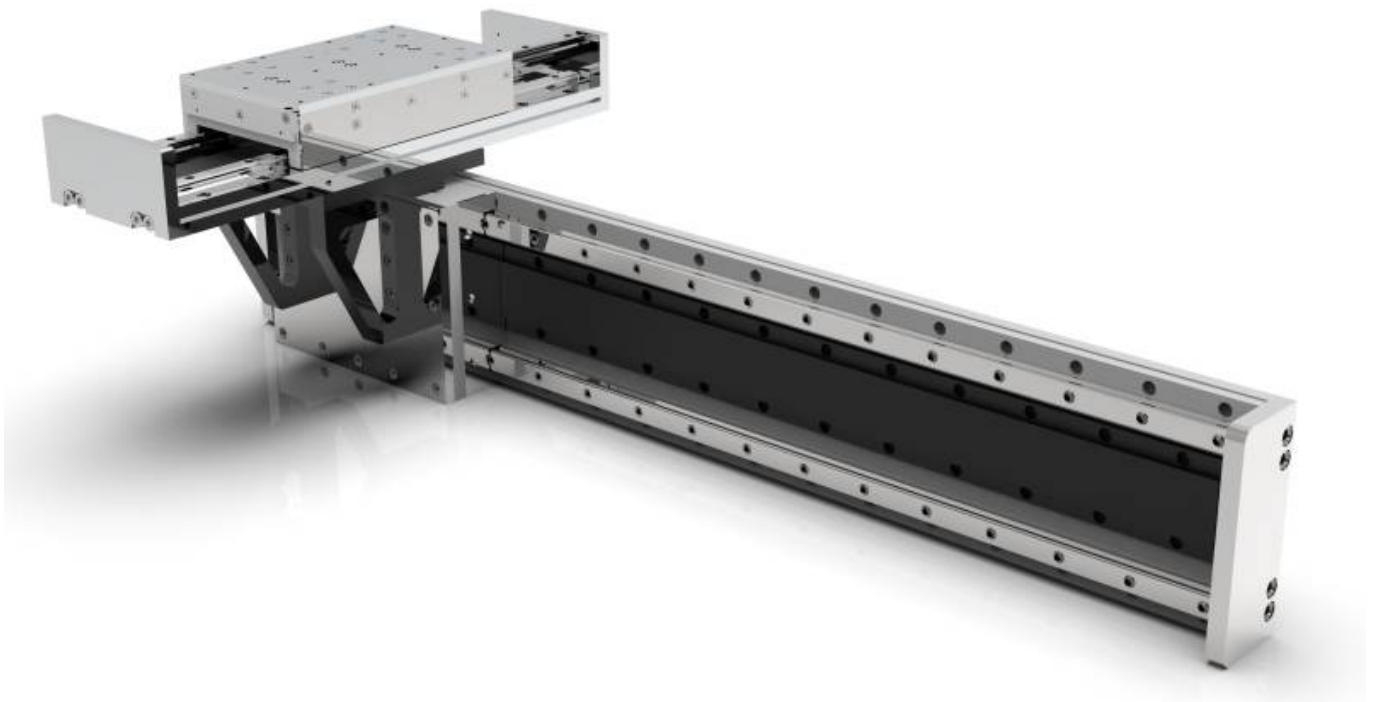
Crossed Axes



3 x Crossed axes



Side crossed axes



From:

<https://www.nilab.at/dokuwiki/> - **NiLAB GmbH**

Knowledgebase

Permanent link:

https://www.nilab.at/dokuwiki/doku.php?id=lm_linear_axes:mounting_examples

Last update: **2023/09/25 14:08**

