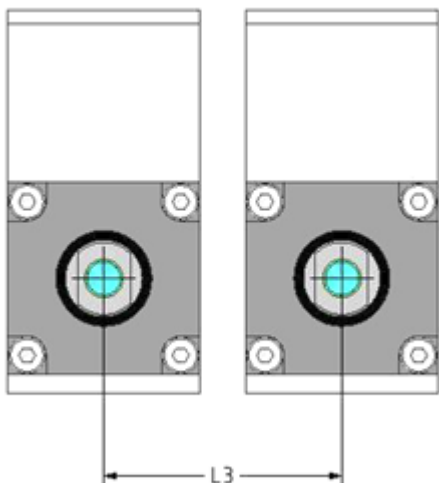


Mechanical Installation

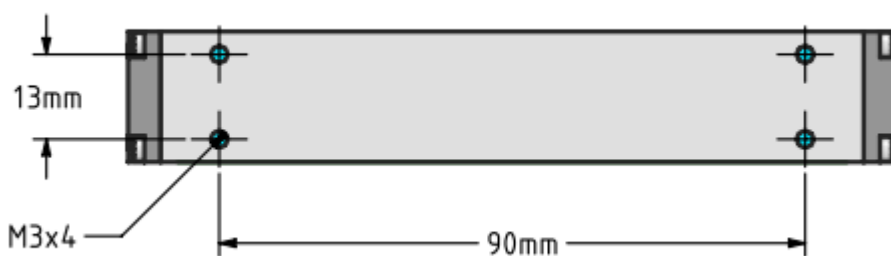
Slider distance for parallel drive mounting

When the application needs tandem parallel configuration of the integrated drive linear motor, the two or more actuators must be mounted to guarantee the safety distance L3 to avoid the interaction between magnetic sliders.

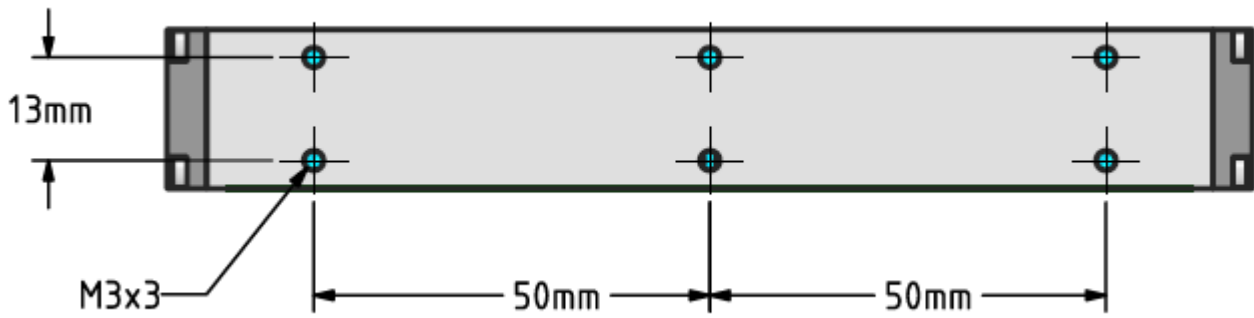


MOTOR MODEL	NO INTERACTION	MEDIUM INTERACTION	STRONG INTERACTION
NLi080	> 35 mm	> 15 mm to 35 mm	< 15 mm
NLi120	> 65 mm	> 45 mm to 65 mm	< 45 mm

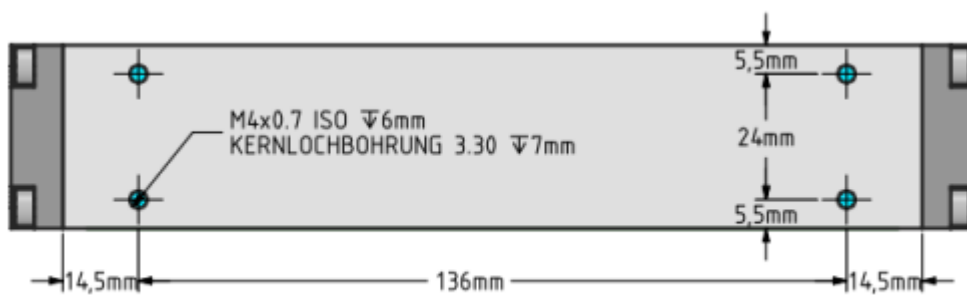
NLi080Q Fixing points



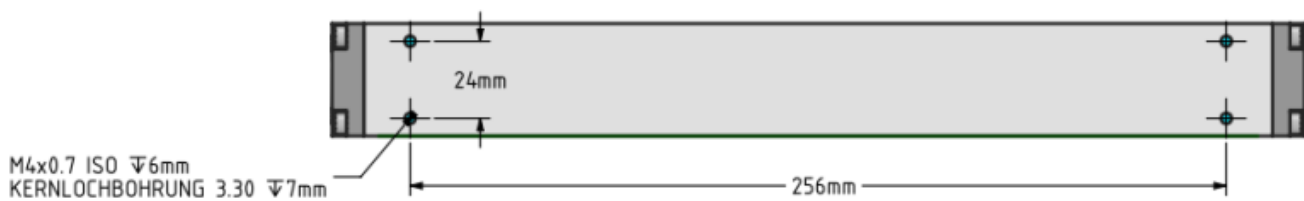
NLi080X Fixing points



NLi120Q Fixing points



NLi120X Fixing points



NLi080Q/X slider fixing point

Slider has M4 threaded hole at each slider ends.



NLi120QX slider fixing point

Slider has M4 threaded hole at each slider ends.



From:

<https://www.nilab.at/dokuwiki/> - NiLAB GmbH
Knowledgebase

Permanent link:

https://www.nilab.at/dokuwiki/doku.php?id=integrated_drive_motors:installation

Last update: 2025/12/30 10:04

