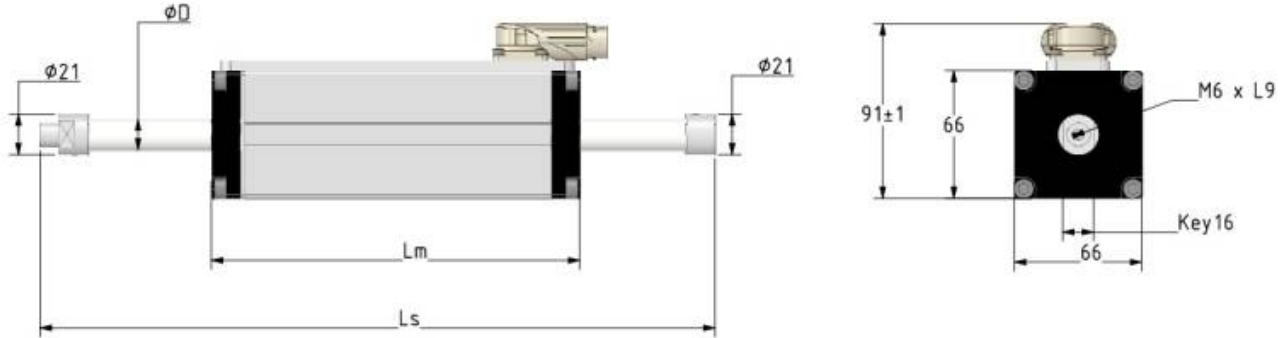


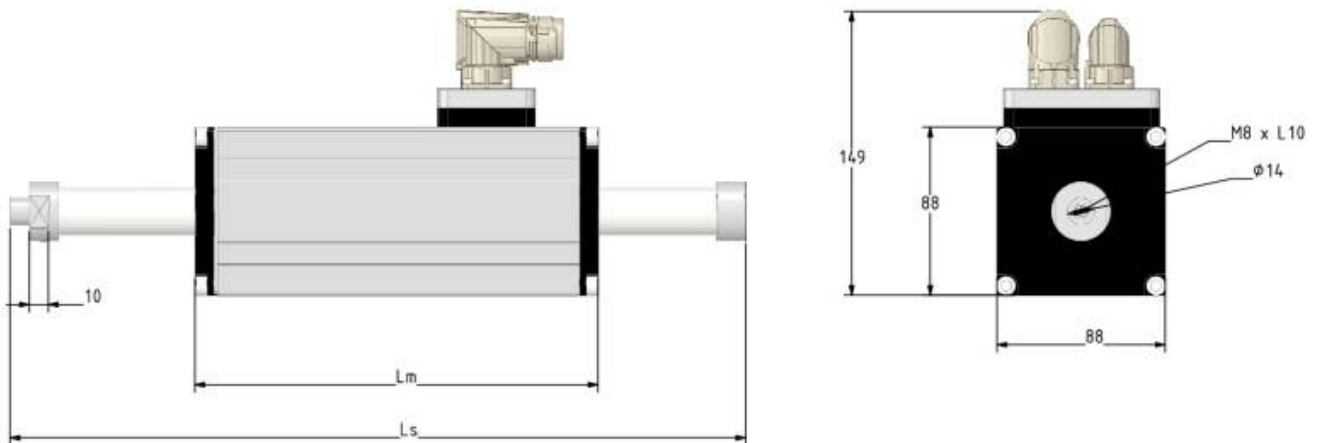
# Dimensional details

## GD16 dimensions



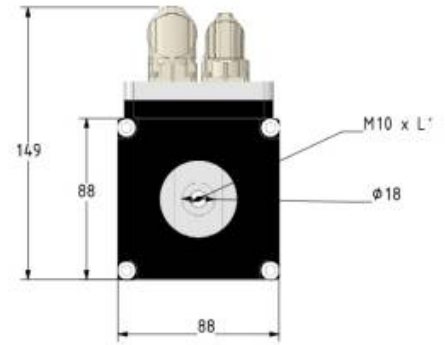
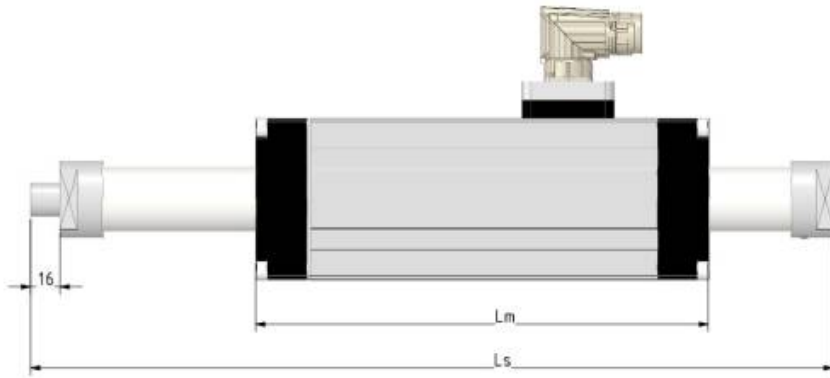
MOTOR	STATOR LENGHT Lm	SLIDER LENGTH Ls	UNIT
GD160D	159	Stroke + 159 + terminals	mm
GD160T	189	Stroke + 189 + terminals	mm
GD160Q	219	Stroke + 219 + terminals	mm

## GD250 Dimensions



MOTOR	STATOR LENGHT Lm	SLIDER LENGTH Ls	UNIT
GD250D	160	Stroke + 160 + terminals	mm
GD250T	190	Stroke + 190 + terminals	mm
GD250Q	210	Stroke + 210 + terminals	mm
GD250X	340	Stroke + 340 + terminals	mm

## GD350 Dimensions



MOTOR	STATOR LENGHT Lm	SLIDER LENGTH Ls	UNIT
GD350TS	226	Stroke + 226 + terminals	mm
GD350XS	376	Stroke + 376 + terminals	mm
GD350ES	502	Stroke + 502 + terminals	mm

From:  
<https://www.nilab.at/dokuwiki/> - NiLAB GmbH  
**Knowledgebase**

Permanent link:  
[https://www.nilab.at/dokuwiki/doku.php?id=green\\_drive\\_motors:dimensional\\_details](https://www.nilab.at/dokuwiki/doku.php?id=green_drive_motors:dimensional_details)

Last update: **2023/09/21 07:15**

