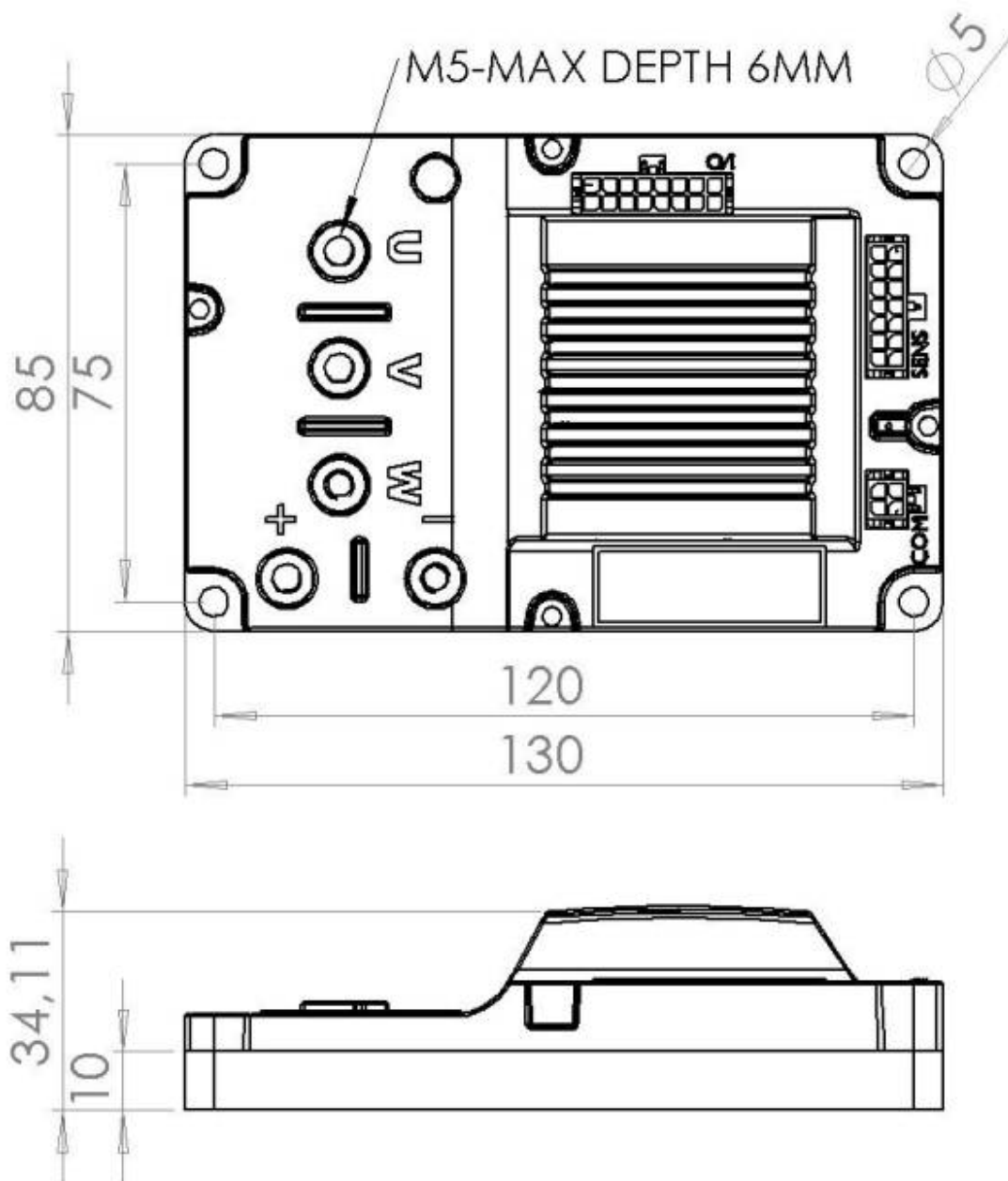


# Epulse50 Mechanical Dimensions

3D Model (Step format):

[www.nilab.at/dokuwiki/lib/exe/fetch.php?media=epulse50\\_dc\\_servodrive:d-ftd50-0003-3.zip](http://www.nilab.at/dokuwiki/lib/exe/fetch.php?media=epulse50_dc_servodrive:d-ftd50-0003-3.zip)



From:  
<https://www.nilab.at/dokuwiki/> - NiLAB GmbH  
Knowledgebase

Permanent link:  
[https://www.nilab.at/dokuwiki/doku.php?id=epulse50\\_dc\\_servodrive:mechanical](https://www.nilab.at/dokuwiki/doku.php?id=epulse50_dc_servodrive:mechanical)

Last update: 2024/07/30 13:28



